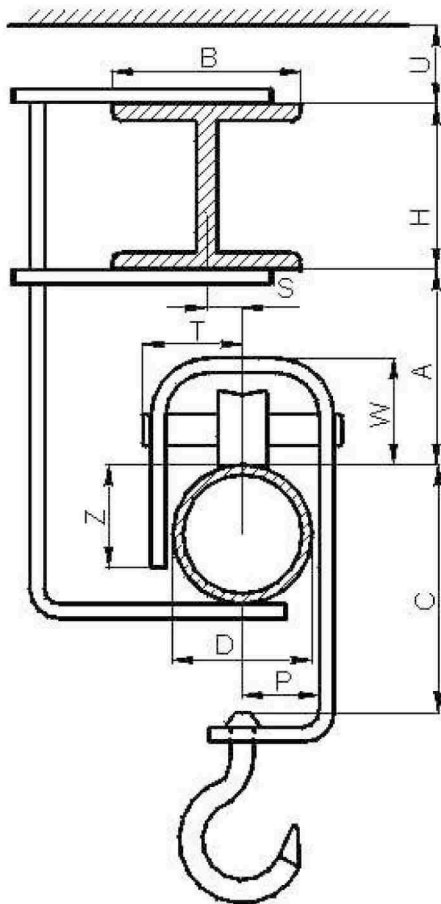


# OVERHEAD TRACK SCALE – data needed to realize the order

**ATTN:**

- the path of movement of the overhead track scale in the place of installation should be horizontal with critical deviations up to +/- 10 mm.
- dimension Z can be not given if the following condition is fulfilled: Z is not bigger than 80% of D



- |   |    |
|---|----|
| Clearance of the path   | A= |
| Height of the hook (trolley)                                    | W= |
| Dimension of the riding path                                    | D= |
| Displacement of the bridge from the axle of the rail            | S= |
| Sticking out of the hook (trolley) outside the axle of the rail | T= |
| Clearance of the hook (trolley) by the bridge                   | P= |
| Vertical dimension of the hook (trolley)                        | C= |
| Distance between the rail and the ceiling                       | U= |
| Width of the rail   | B= |
| Height of the rail  | H= |
| Size of the latch   | Z= |
| Length of the rail  | L= |

