

# MULTIFUNCTIONAL DUALRANGE SCALES WPW



release date 14-09-2011

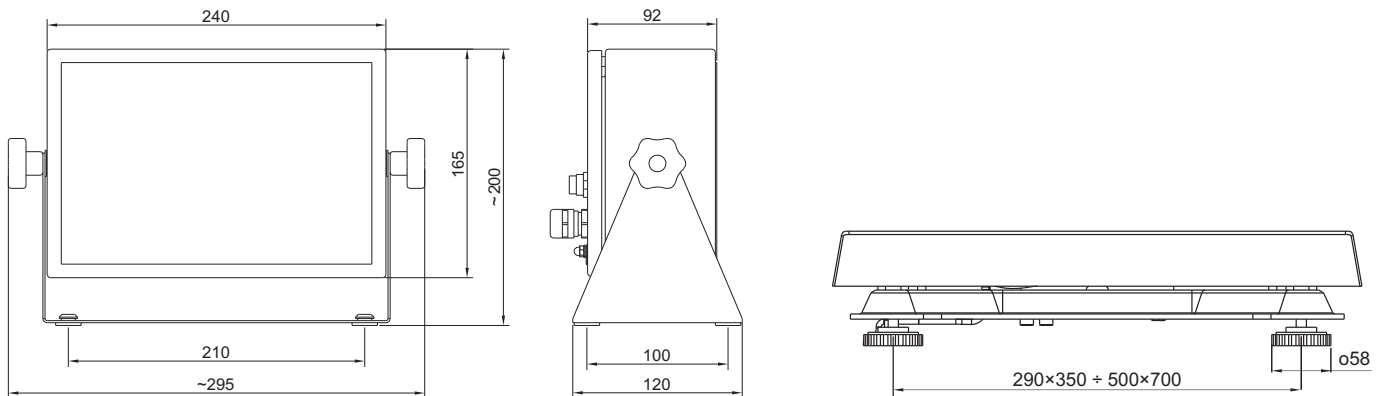


Dualrange scales consist of PUE C41H measuring indicator with backlit display and platform scale.

### Scale function:

- cooperation with EDYTOR WPW software
- cooperation with receipt and label printers
- cooperation with controlling panel: 3 in/ 3 out
- cooperation with one platform scale
- cooperation with external buttons
- PRINT/TARRE/ZERO
- definable access levels
- real time actualization of statistical data
- possibility to save 60 000 of weighing records
- possibility to filter weighings results
- optional configuration of diodes working modes
- possibility to create optional text information for printout needs
- tare base
- automatic or manual tarre
- other measuring units[kg, lb, oz, ct, N, g]
- automatic switching off

- Counting pieces
- Checkweighing
- Summing function
- Filling
- Animal weighing
- Percentage
- Statistics
- Caps lock of max indication
- Measurement in Newton



## Technical data:

	WPW 3/6 C1/K	WPW 6/15 C1/K	WPW 15/30 C1/K	WPW 15/30 C2/K	WPW 30/60 C2/K	WPW 60/150 C2/K	WPW 150/300 C2/K
Max capacity	3/6 kg	6/15 kg	15/30 kg	15/30 kg	30/60 kg	60/150 kg	150/300 kg
Readability	1/2 g	2/5 g	5/10 g	5/10 g	10/20 g	20/50 g	50/100 g
Tare range	-6 kg	-15 kg	-30 kg	-30 kg	-60 kg	-150 kg	-300 kg
Pan size	290×350 mm	290×350 mm	290×350 mm	400×500 mm	400×500 mm	400×500 mm	400×500 mm
Working temperature	-10° - +40 °C						
Output signal	RS 232, RS 485						
IP rating	IP 67						
Power supply	230V AC or 120V AC						
Display	LCD						

## RADWAG

26-600 Radom • Bracka Street 28 • POLAND • Phone: +48 48 3848800 • Fax: +48 48 3850010 • www.radwag.com • e-mail:export@radwag.com