



Applicable for fast identification and logging of operators of weighing systems or identification of vehicles on weighbridges.

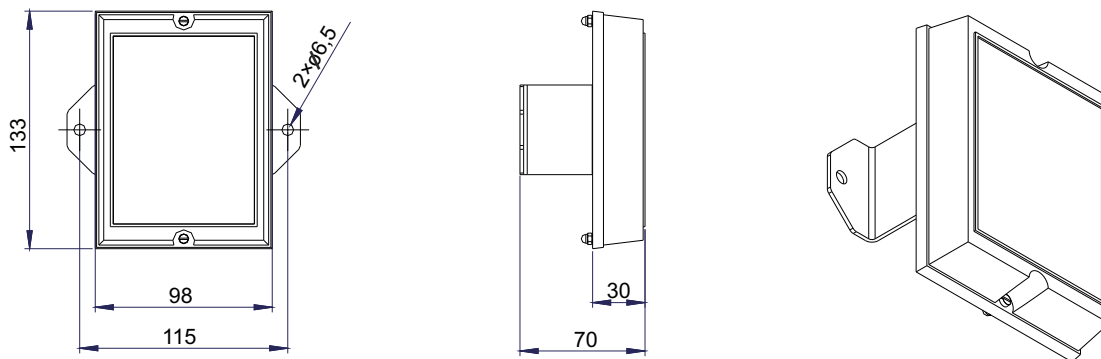
The reader is designed for cooperation with weighing instruments equipped with TMC, PUE 5 nad PUE HY, and additionally scales based on indicators PUE C41H and PUE7. terminals.

#### Manufacturing version of transponder card scanner:

- CK-01/1** Designed for scales equipped with TMC terminal (scales in CPG systems , etc). It is installed close to the scale. Communication through RS 232 interface, power supply +5V DC from scale terminal
- CK-01/2** Designed for weighbridges equipped with TMC terminal. It is installed in a large distance from the terminal (e.g. next to the barriers). Communication through RS485, power supply 10.5V AC from scale terminal or 9-24V AC from external power supply.
- CK-01/3** Designed for scales equipped with PUE C41H, PUE 5 terminals. It is installed next to the terminal. Communication through RS 232, power supply 5V from scale terminal.
- CK-01/4** Designed for scales equipped with PUE 7 indicator. It is installed next to the indicator. Communication through RS232, power supply 5V from scale indicator.

## Design:

Transponder card scanner CK-01 is manufactured in plastic casing with stainless steel mounting kit. There are two mounting kits offered, depending on model.



## Technical data:

	CK-01/1, CK-01/3, CK-01/4	CK-01/2
Casing (front)		plastic
Casing (back - mounting)		stainless steel
IP rating		IP 56
Type of scanned cards		UNIQUE
Maximal distance from scanned cards		5 cm
Power supply	5V DC from scale terminal	9-24V AC external power supply
Working temperature		-10°C ÷ +40°C
Interface	RS 232	RS 485
Dimensions		98×133×30 mm
Weight		~400 g