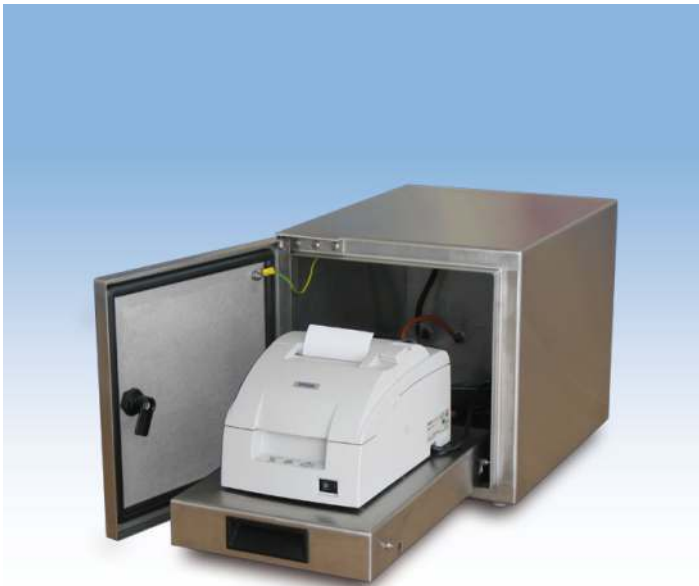


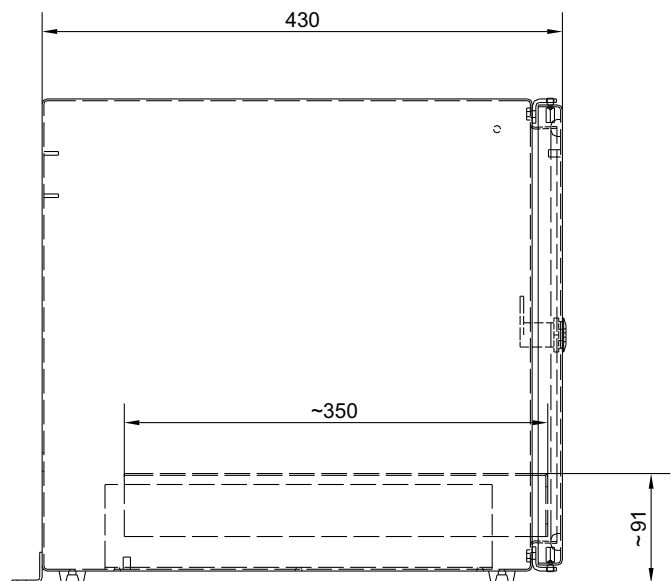
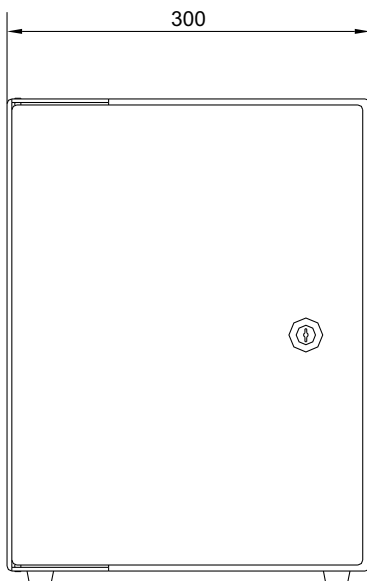
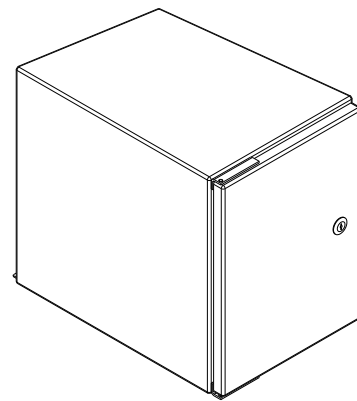
DUST-FREE CABINET FOR PRINTERS

release date 30-12-2010



Dust-free cabinet is applicable as protection to printers series Epson and Citizen models CLP 521 and CLP 621. The enlarged version of the dust-free cabinet is designed to case Citizen printer model CLP 721.

The dust-free cabinet is used in cases, where a printer is operating in heavily dusted areas. Such airtight shield made of stainless steel protects a printer against defects, and allows for operation in not adapted places.



an assembly jig fixed to the ground protecting against overbalancing the dust-free cabinet on a pulled out desk