



Table for scale is offered in three versions, specially adjusted for Radwag weighing instruments:

- 1) table-H3 - designed for scales with standard spacing between the feet 370×370mm, feet with diameter 36mm and weighing platform dimensions 410×410mm
- 2) table-H4 - designed for scales with standard spacing between the feet 400×400mm, feet with diameter 36 mm and weighing platform dimensions 500×500mm
- 3) table-H5 - designed for scales with standard spacing between the feet 500×500mm, feet with diameter 36 mm and weighing platform dimensions 600×600mm

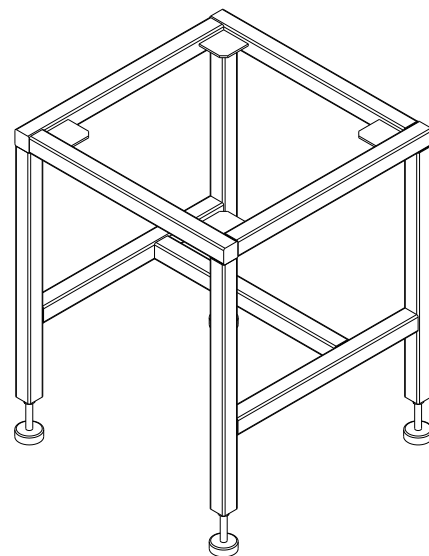
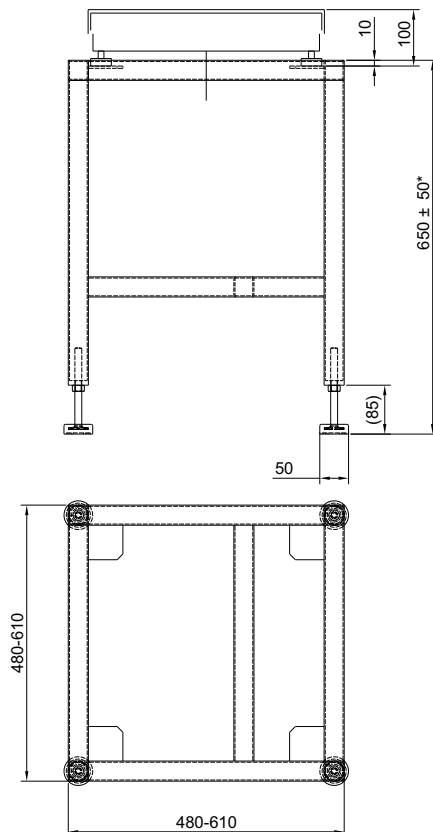
Basic features :

Adjustable table height within the range of +/- 50mm by screwing in or out table's adjustable feet.

Technical data:

Manufactured in stainless steel technology

Height : 650 +/-50mm



\*- adjustable table height  
by screwing feet