

# PUE C/31H MEASURING INDICATORS

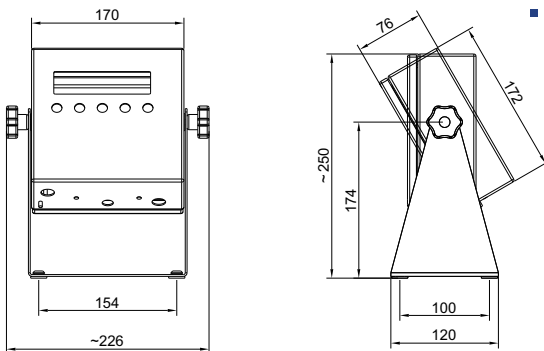


release date 30-12-2010



## Functions of measuring indicator series PUE C/31H:

- measure units: [g], [kg], [N], [ct], [lb];
- tarring in whole measure range;
- automatic tare, tare memory;
- counting pieces with the some mass of piece;
- +/- mass control of set reference mass;
- per cent deviation from set reference mass;
- averaging of weighing result, digital filter;
- control of power supply from batteries;
- timer switch off of the scale;
- adjusting backlit when operating on batteries;
- adjustable band rate of transmission between 2400-38400bit/s;
- continuous transmission of data through RS 232;
- manual or automatic mode for RS 232;
- weighing loads with autozero or without;
- measurement of maximal force on the weighing pan or maximal mass placed on weighing pan;
- measurement of force influencing the weighing pan (in Newtons);
- control of start mass;
- possibility of connecting additional LCD display;
- totalizing function of measurements.



## Technical data:

	PUE C/31H	PUE C/31H/Z
Display		LCD
Keyboard		membrane
Quantity of buttons		5
Maximal quantity of verifying units		6000 e
Maximal quantity of countings from A/C converter		838 860 × 10
Maximal increase of signal		19,2 mV
Maximal voltage on one verifying unit		3,2µV
Minimal voltage on one verifying unit		1,0µV
Working temperature		-10° - +40°C
Minimal impedance of load cell		80 Ω
Maximal impedance of load cell		1200 Ω
Connection of load cells		4 or 6 cables + shield
Multi range		1 or 2 ranges
Excitation voltage		5V DC
Interface		RS 232
Additional display		LCD (option)
Casing		stainless steel
IP rating		IP 66/67
Standard power supply	110-120VAC 60Hz and 220-240VAC 50Hz and SLA 6V/3,4Ah	230V/11V or 120V/11V AC and SLA 6V/3,4Ah
Optional power supply	-	10-18V DC I <sub>max</sub> =600mA
Means of power supply	power supply cable built in get cell SLA accumulator	power adapter for charging battery built in SLA battery
Average operation time on accumulators		45 h

**RADWAG**

26-600 Radom • Bracka Street 28 • POLAND • Phone: +48 48 3848800 • Fax: +48 48 3850010 • www.radwag.com • e-mail:export@radwag.com