



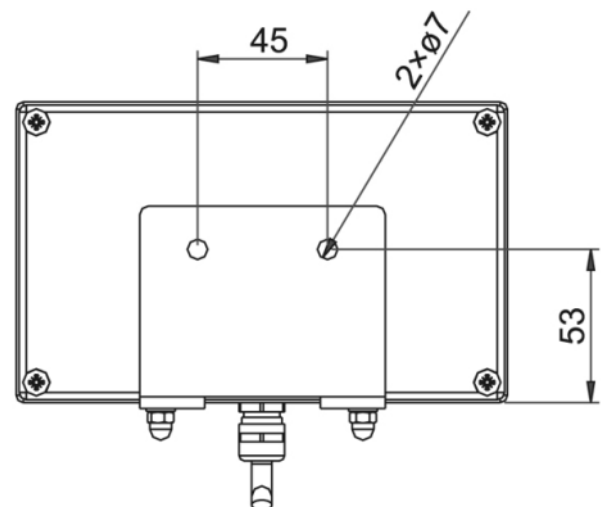
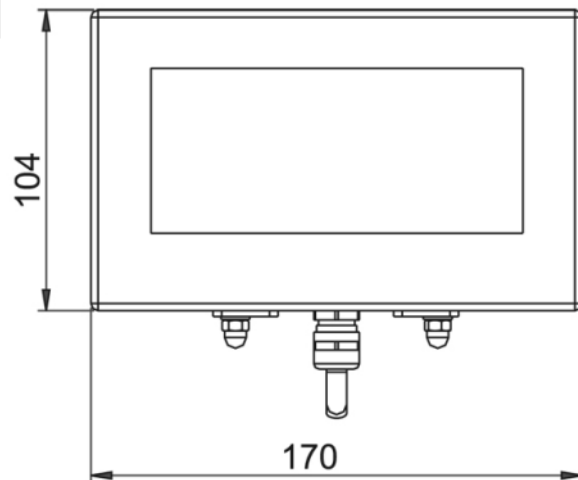
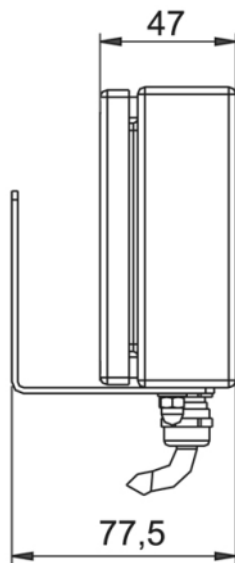
Additional display series WD-4/3 features stainless steel casing, and it is designed for cooperation with indicator series PUE C31/H. the display is available only as factory installed option.

Characteristics of an additional display model WD-4/3:

- stainless steel casing
- connecting cable with 4-pin slot (IP 67)

Basic features:

- automatic detection of baud rate (speed of transmission)
- automatic display blanking
- LCD backlight
- power supply from an indicator (scale)



Technical data:

Power supply	6V DC from measuring indicator
Digit size	19 mm
Connection cable length	1,5 m
Dimensions	170 × 104 × 47 *

* dimensions do not include cable glands and holders for mounting