



Additional display WD-4/1 is designed for cooperation with indicator series PUE C/31. It is accessible only as a set with scale (installed as factory option). Plastic casing (ABS), cable with Db9 slot.

**Basic features:**

- automatic recognition of baud rate
- automatic display blanking
- LCD backlight
- power supply from scale indicator

Additional display series WD-3/01 for cooperation with balances: AS/X, AS, PS/X, PS and APP. It is equipped with plastic casing, cable with Db9 slot.

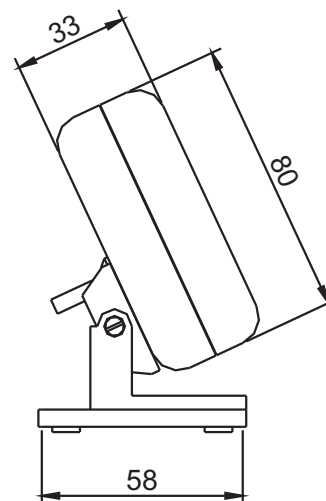
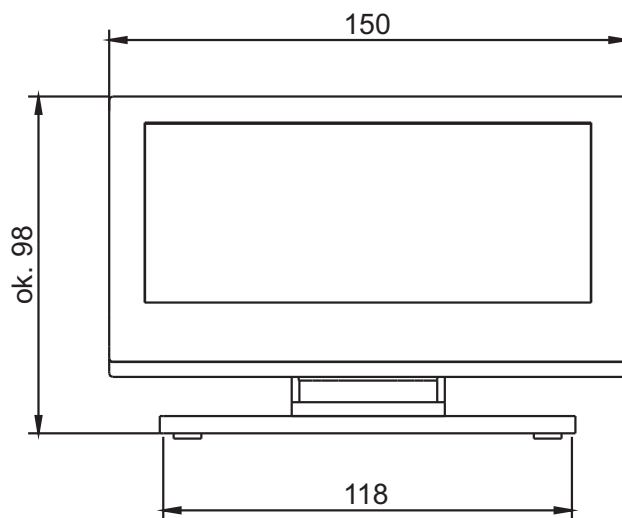
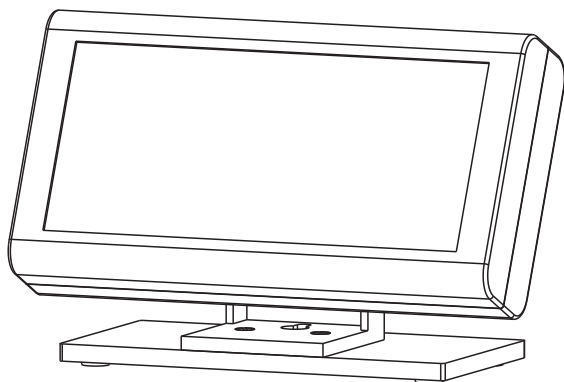
**Basic features:**

- automatic display blanking
- LCD backlight
- power supply from balance

Additional display series WD-3/01/Y for cooperation with balances: AS/Y, PS/Y and APP/Y. It is equipped with plastic casing.

**Basic features:**

- automatic display blanking
- LCD backlight
- power supply from balance



## Specification:

Power supply	6V DC from measuring indicator (scale)
Digit size	19 mm
Connection cable length	1,5 m
Dimensions	150 × 80 × 33 *

\* dimensions do not include cable glands and holders for mounting