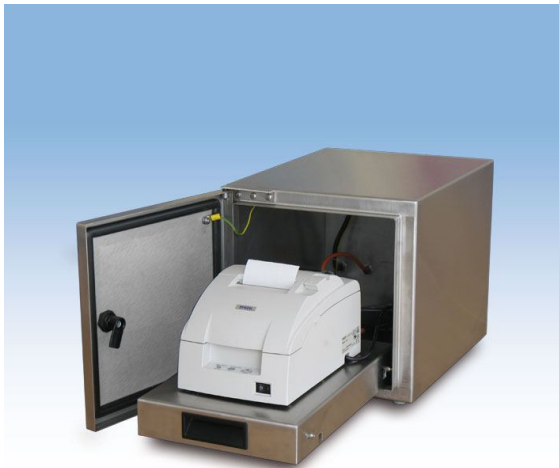


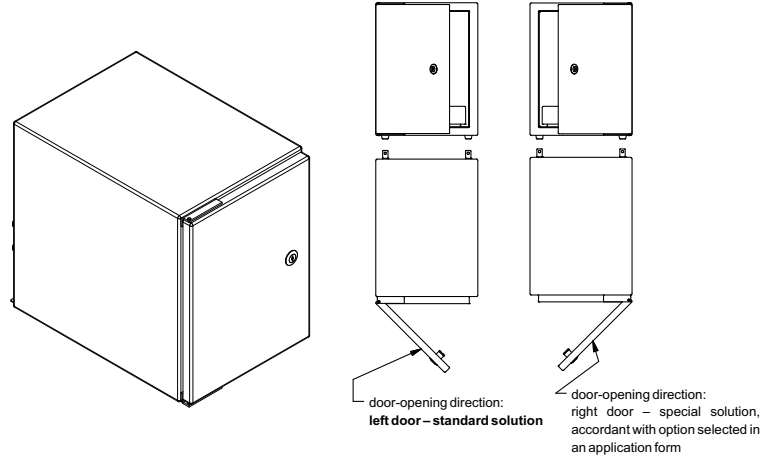
DUST-FREE CABINET FOR PRINTERS



release date 28-04-2014



Dust-free cabinet is applicable as protection to printers series Citizen and ZEBRA. The dust-free cabinet is used in cases, where a printer is operating in heavily dusted areas. Such airtight shield made of stainless steel protects a printer against defects, and allows for operation in not adapted places.



The realization description:

- DR-1 - printer casing with the drawer – intended for Citizen printers: CLP-521, CLP-621, CLP-631, CL-S521, CL-S621, CL-S631
- DR-2 - printer casing with the drawer – intended for CLP-7201 Citizen printer
- DR-3 - printer casing with the drawer – intended for CL-S700 Citizen printer
- DR-4 - printer casing with the drawer – intended for CL-S700R Citizen printer
- DR-5 - printer casing with the drawer – intended for Citizen printers: Zebra GK 420d; GK 420t; GX 420d; GX420t; GX 430t
- DR-6 - printer casing with the drawer – intended for Citizen printers: Zebra ZT 220; ZT 230
- DR-7 - printer casing with the drawer – intended for Zebra ZM 440

	A [mm]	B [mm]	C [mm]	D [mm]	E [mm]	F [mm]	G [mm]	masa [kg]
DR-1	300	400	430	245	275	min 350	~95	15
DR-2	360	400	600	305	275	min 500	~95	22
DR-3	360	400	670	305	275	min 550	~95	24
DR-4	360	525	670	305	400	min 550	~95	27
DR-5	270	330	380	215	205	min 300	~95	13
DR-6	330	430	600	275	305	min 500	~95	22
DR-7	360	490	670	305	365	min 550	~95	26

